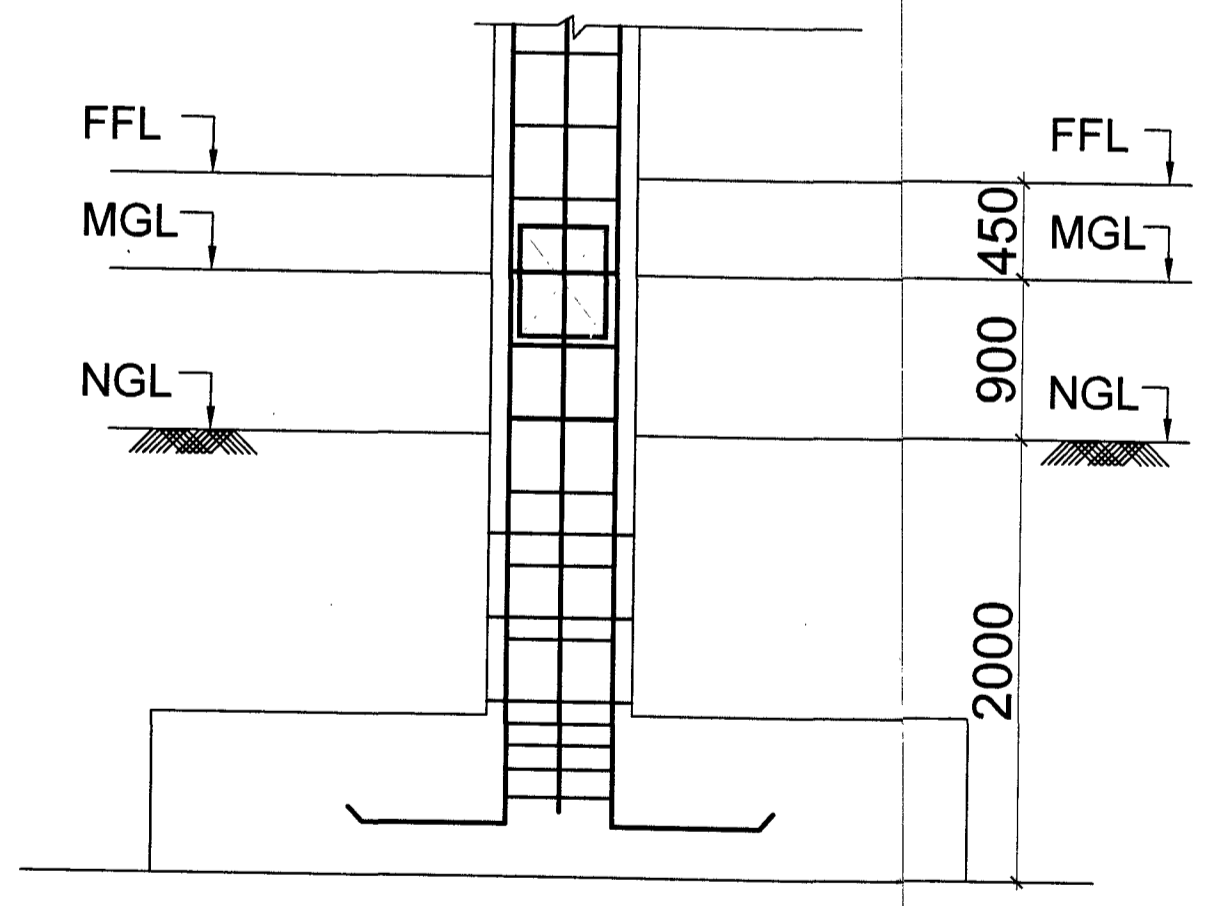


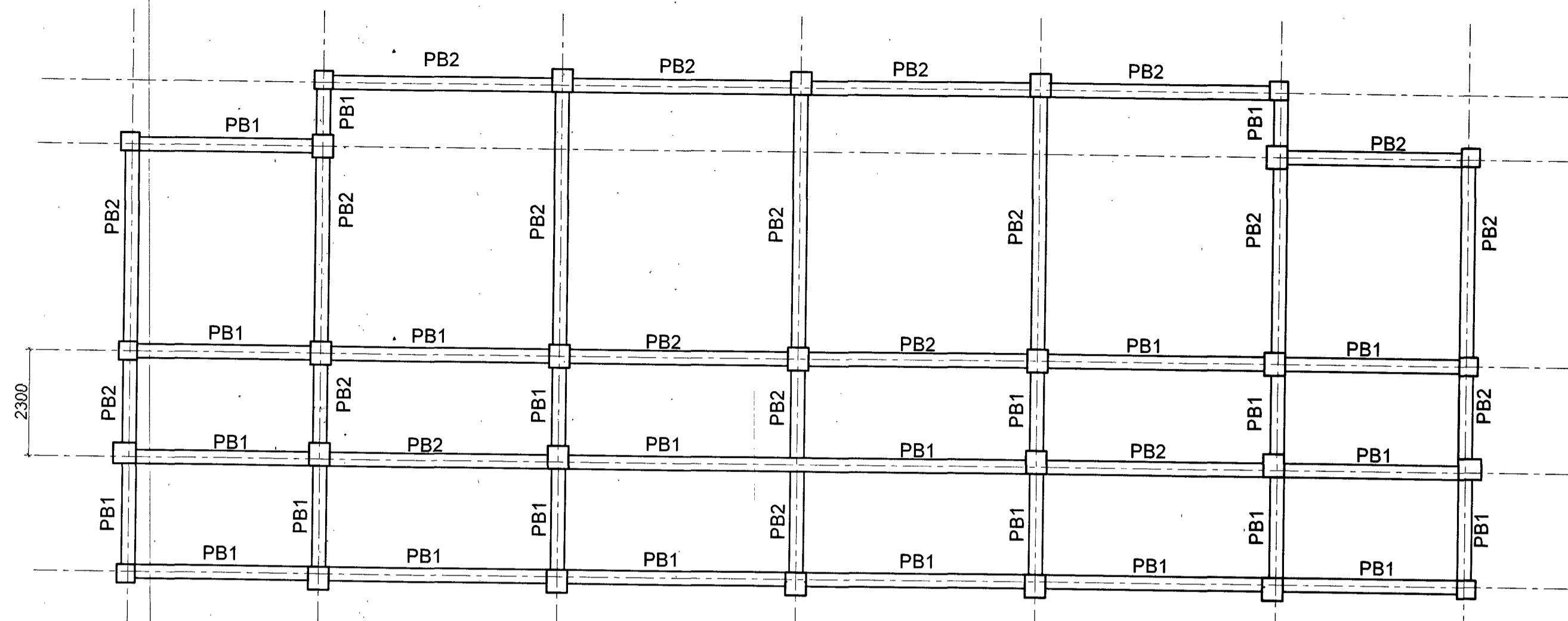
SCHEDULE OF RCC COLUMNS										
SL NO.	COL. NO.	SIZE		REINFORCEMENT				SECTION	SHAPE OF TIES	REMARKS
		B	D	MAIN BARS		T I E S				
				Nos	DIA	IN (h+z) (P) DIA	IN (H-2h) DIA			
1.	C1	400	400	4	16 #	8 #	@ 70 C/C	8 #	@ 150 C/C	
2.	C2	450	500	8	20 #	8 #	@ 70 C/C	8 #	@ 150 C/C	
3.	C3	450	500	4	20 #	8 #	@ 70 C/C	8 #	@ 150 C/C	

SCHEDULE OF ISOLATED COLUMN FOOTING										
COL. MARK	COL. FOOTING MARK	SIZE OF FOOTING		DEPTH OF FOUNDATION		REINFORCEMENT IN FOUNDATION				REMARKS
		LENGTH (L)	BREADTH (B)	d	d'	PARALLEL TO LENGTH		PARALLEL TO BREADTH		
						BOTTOM	TOP	BOTTOM	TOP	
F1	2200	2200	550	450	12 # 150 C/C	-	12 # 150 C/C	-		
F2	2000	2000	450	450	12 # 150 C/C	-	12 # 150 C/C	-		
F3	1750	1750	450	450	12 # 150 C/C	-	12 # 150 C/C	-		
CF1	3100	1800	450	450	12 # 150 C/C	12 # 200 C/C	12 # 150 C/C	12 # 200 C/C		

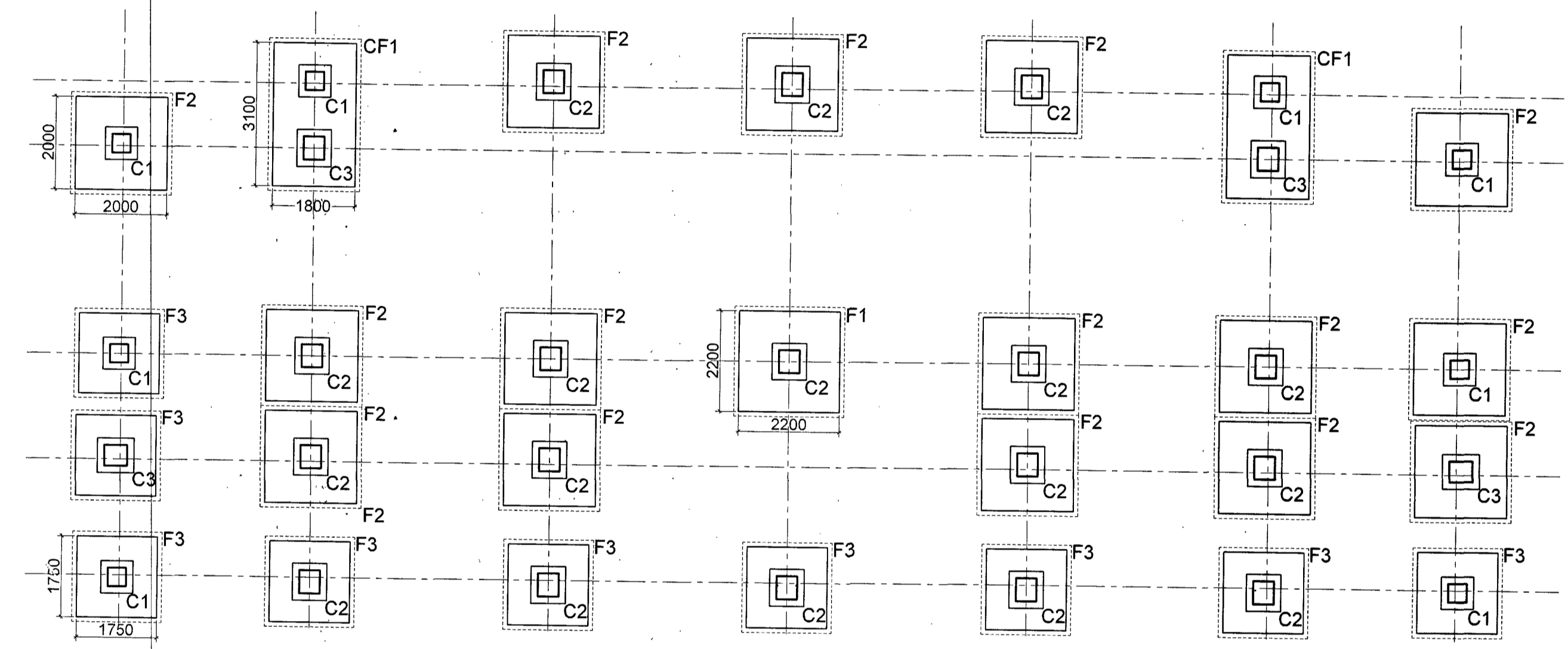
SCHEDULE OF RCC BEAMS									
SL No.	BEAM NOS	SIZE		REINFORCEMENT				REMARKS	
		B	D	MAIN BARS		EXTRA BARS (TOP)	STIRRUPS		
				BOTTOM BARS	TOP BARS	EXTRA BOTTOM AT MID SPAN	X1 / X2 (P1)		X3
PLINTH BEAMS									
1.	PB1	250	350	2 / 12 #	2 / 12 #	-	2 / 12 #	2L-8 # @ 70 C/C	2L-8 # @ 150 C/C
2.	PB2	300	450	3 / 16 #	3 / 16 #	-	2 / 12 #	2L-10 # @ 70 C/C	2L-8 # @ 125 C/C



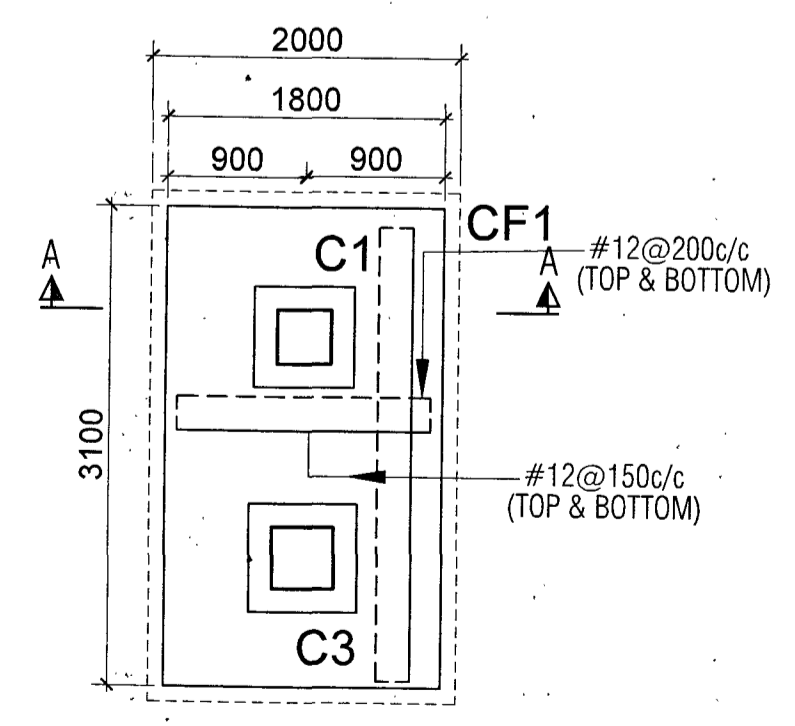
SECTION AT - AA NTS



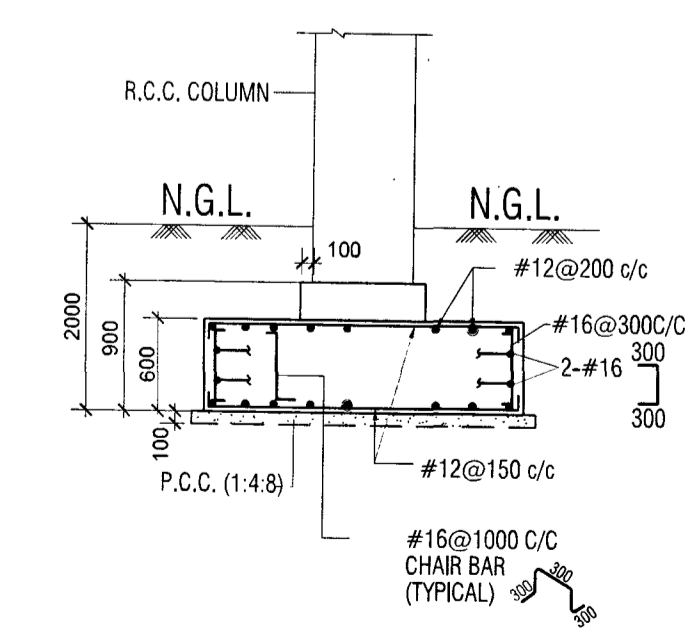
STRUCTURAL PLAN AT PLINTH LEVEL
SCALE :- 1: 100



STRUCTURAL FOUNDATION PLAN
SCALE :- 1:100



PLAN DETAIL OF FOOTING CF1
SCALE :- 1:50



SECTION A-A
SCALE - 1:50

REFERENCES TO DRG:-		
DRG NO	SHEET NO.	DESCRIPTION
CEPZ/2021/TV/01 / STR DL-19 /06/2021	1/3 TO 3/3	GENERAL NOTES AND GENERAL STRUCTURAL DETAILS
CEPZ/2009/TV/06 / STR DL-24 /04/2009	1/1	TYPICAL DETAIL OF CRUMPLE SECTION

SL NO	DATE	DESCRIPTION	INITIAL
1.			

REVISION

PROVN OF EQUIPMENT TRAINING CLASS ROOM BLOCK WITH TOILET FOR MAC GP MIC & S AHMEDNAGAR

STR FOUNDATION PLAN, STR PLINTH LEVEL PLAN, SECTION AND SCHEDULE OF RCC COLUMN, FOOTING AND BEAM

DATE	14 MAR 2026	CHIEF ENGINEER PUNE ZONE PUNE	
DRN			
CKD			

SCALE 1:100 **MILITARY ENGINEER SERVICES**

DRG.NO CEPZ/2026/ANR/ 06 /STR(A) SHT.NO 02/03

AD (DESIGN) *Amal* DIR (DESIGN) *Amal*